

positive displacement flow meters

M4 – 1/2” meters with mechanical register

The M4 is a low to medium flow range model. It is a compact meter that has the ability to handle a wide range of fluid viscosities with exceptional levels of repeatability and durability.

Features

- Compact size.
- Easy to read and operate mechanical register.
- Flexibility of installation options (e.g. can be mounted horizontally or vertically; no flow conditioning required).
- Low pressure drop allows for economical pump selection or gravity flow applications.
- Meter construction enables fast and easy on-site servicing without removal from application.
- Meter accuracy is verified by a factory calibration check after which an individual metrology report is issued.
- Meter design minimises the number of wearable and replaceable parts and extends product life.

Specification:

| Model | M4 |
|---|--|
| Meter Type | Meter With Mechanical Register |
| Meter Body Material | Aluminium / 316 Stainless Steel / Bronze |
| Wetted Components: | |
| Rotor Material | PPS Only |
| Shafts | 316 Stainless Steel |
| O'ring | NBR (Nitrile) |
| Flow Rate Ranges (Litres Per Minute/US Gallons Per Minute) | |
| Above 5 cPs | 2 To 30 / 0.5 To 8 |
| Below 5 cPs | 3 To 25 / 0.8 To 6.60 |
| Accuracy- Within (Of Reading) | +/- 1% |
| Repeatability | 0.03% |
| Maximum Viscosity (Of Standard Model) | 1000 Centipoise |
| Maximum Operating Pressure | 3400kpa/ 34 Bar / 500 Psi |
| Max. Operating Temperature | 80°C / 176°F, High Temp Option 120°C / 248°F |
| Recommended Mesh Strainer Size | 60 Mesh |



M4ARM-X



Mechanical Register



MH450 Industrial Register

Port Size

To order flowmeter you must replace 'X' with the relevant number. This number will determine the following specifications:

Port Size:

- 1 = 1/2" BSP (F) ports
- 2 = 1/2" NPT (F) ports

Calibrated In:

- Litres
- US Gallons

PPS = Polyphenylene Sulfide Resins



M4 – 1/2” meters with mechanical register

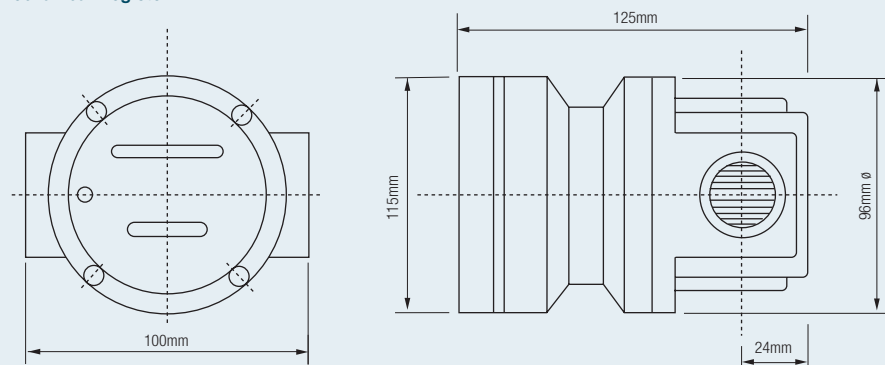
Options and accessories

| M4 - 1/2" METERS WITH MECHANICAL REGISTER | M4ARM-X | M4SRM-X | M4ARMI-X | M4SRMI-X |
|---|---------|---------|----------|----------|
| FKM O-Ring | ○ | ○ | ○ | ○ |
| FEP O-Ring | ○ | ○ | ○ | ○ |
| EPDM O-Ring | ○ | ○ | ○ | ○ |
| High Temp Rotors | ○ | ○ | ○ | ○ |
| High Viscosity Rotors | ○ | ○ | ○ | ○ |
| Hall Effect Sensor | - | - | - | - |
| Reed Switch | - | - | - | - |
| Solvent Kit | ○ | ○ | ○ | ○ |
| Hastalloy C Shafts | - | - | - | - |
| Protective Boot | + | + | - | - |
| Remote Mounted LC Register | - | - | - | - |
| Heating Jacket | - | - | - | - |
| 4-20mA Module | - | - | - | - |
| Protective Boot | ○ | ○ | - | - |

● Standard ○ Optional - Not Available + Accessory

Dimensions

Mechanical Register



MH450 Industrial Register

