

G10 - 1" PULSE & LCD DISPLAY METERS

The G10 is the medium capacity meter in the G Series range. It has the ability to handle a wide range of fluid viscosities with exceptional levels of repeatability and durability.



G10ARP-1

Product Benefits

- Compact size.
- Two independent pulse units which can be linked to allow doubling of the pulse output.
- Flexibility of installation options (e.g. can be mounted horizontally or vertically; no flow conditioning required).
- Low pressure drop allows for economical pump selection or gravity flow applications.
- Meter construction enables fast and easy on-site servicing without removal from application.
- Meter design minimises the number of wearable and replaceable parts and extends product life.
- Meter accuracy is verified by a factory calibration check after which an individual metrology report is issued.
- Both LC Display meets European CE directive.
- Deluxe Display Pulse Version has IP66/NEMA6 protection.
- Intrinsically safe LC Deluxe Display. Certificate of conformity number PTB Nr. Ex-93.C.4033x
- Pulse version as Flameproof Certification AUS Ex2377x
- Will handle particle sizes to 0.28mm/0.011".

MODEL	G10
METER TYPE	PULSE / STANDARD LC DISPLAY / DELUXE LC DISPLAY
METER TYPE	PULSE / LCD
METER BODY MATERIAL	AA601 ALUMINIUM / 316 STAINLESS STEEL / BRONZE
WETTED COMPONENTS:	
ROTOR MATERIAL	PPS / 316 STAINLESS STEEL
SHAFTS	316 STAINLESS STEEL
O-RING	NBR (NITRILE)
FLOW RATE RANGES (litres per minute/ US gallons per minute)	
ABOVE 5 CPS	6 to 120 / 1.6 to 32
BELOW 5 CPS	10 to 100 / 2.6 to 26
ACCURACY- WITHIN (OF READING)	+/- 0.5%
REPEATABILITY	0.03%
MAXIMUM VISCOSITY (OF STANDARD MODEL)	1000 Centipoise
MAXIMUM OPERATING PRESSURE	5500kPa/ 800 PSI/ 55 BAR OR FLANGE RULE WHERE FITTED
PULSER TYPE	HALL EFFECT OR REED SWITCH OR COMBINATION HE / RS
PULSES PER LITRE/ US GALLON	36 OR 72 /136.3 OR 272.6
MAX. OPERATING TEMPERATURE	80°C / 176°F / 120°C / 248°F
RECOMMENDED MESH STRAINER SIZE	60 MESH

Flameproof Approval



Standard LC Display



Deluxe LC Display

Port Size To order flowmeter you must replace 'X' with the relevant number. This number will determine the following specifications:

Port Size:

- 1 = 1" BSP (F) ports
- 2 = 1" NPT (F) ports
- 3 = 1" ANSI 150lb Flange
- 4 = 1" ANSI 150lb Flange
- 5 = 25mm DIN 16 Flange
- 6 = 1" Triclover Flange
- 7 = 1" Triclover Flange

Calibrated and Display In:

- Litres
- US Gallons
- Litres
- US Gallons
- Litres
- Litres
- US Gallons

Electrical Conduit Connection:

- 20mm (F)
- 1/2" NPT (F)
- 20mm (F)
- 1/2" NPT (F)
- 20mm (F)
- 20mm (F)
- 1/2" NPT (F)

PPS = Polyphenylene Sulfide Resins

Bronze = Available in 1 or 2 port configuration only

G10 - 1" PULSE METERS & LCD DISPLAY METERS

Options & Accessories

G10 - 1" METER	VITON O-RING	TEFLON O-RING	EPDM O-RING	HIGH TEMP ROTORS	HIGH VISCOSITY ROTORS	HALL EFFECT SENSOR	REED SWITCH	SOLVENT KIT	HASTALLOY C SHAFTS	PROTECTIVE BOOT DELUXE LCD	EXTENDED LIFE BATTERY DELUXE LCD	REMOTE MOUNTED LC DISPLAY	HEATING JACKET	4-20mA MODULE
G10ARX-X	O	O	O	O	O	O	S	X	X	A	A	A	A	A
G10ASX-X	O	O	O	S	O	O	S	X	X	A	A	A	A	A
G10SRX-X	O	O	O	O	O	O	S	X	X	A	A	A	A	A
G10SSX-X	O	O	O	S	O	O	S	X	X	A	A	A	A	A
G10BRX-X	O	O	O	O	O	O	S	X	X	A	A	A	A	A

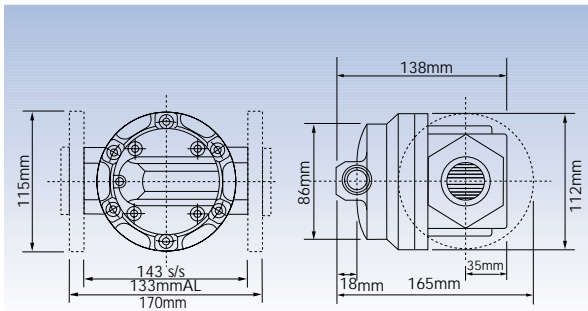
S = Standard

O = Optional

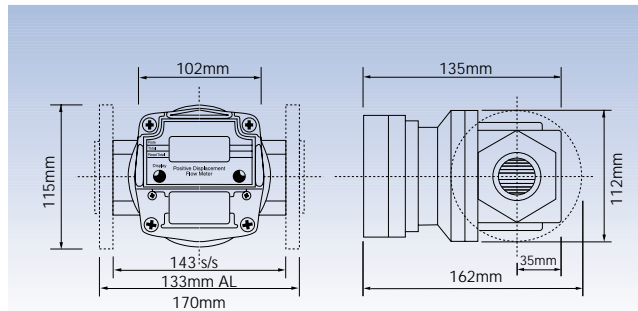
X = Not Available

A = Accessory

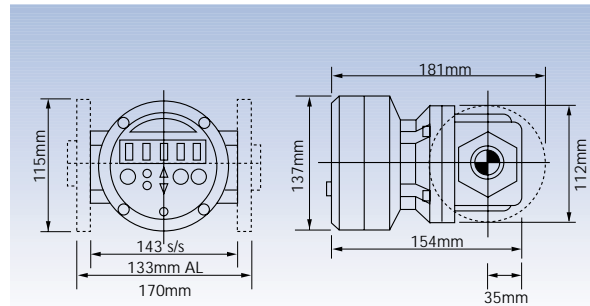
Dimensions



Pulse



Standard Display



Deluxe Display

