



Beta-Mj-Wdc

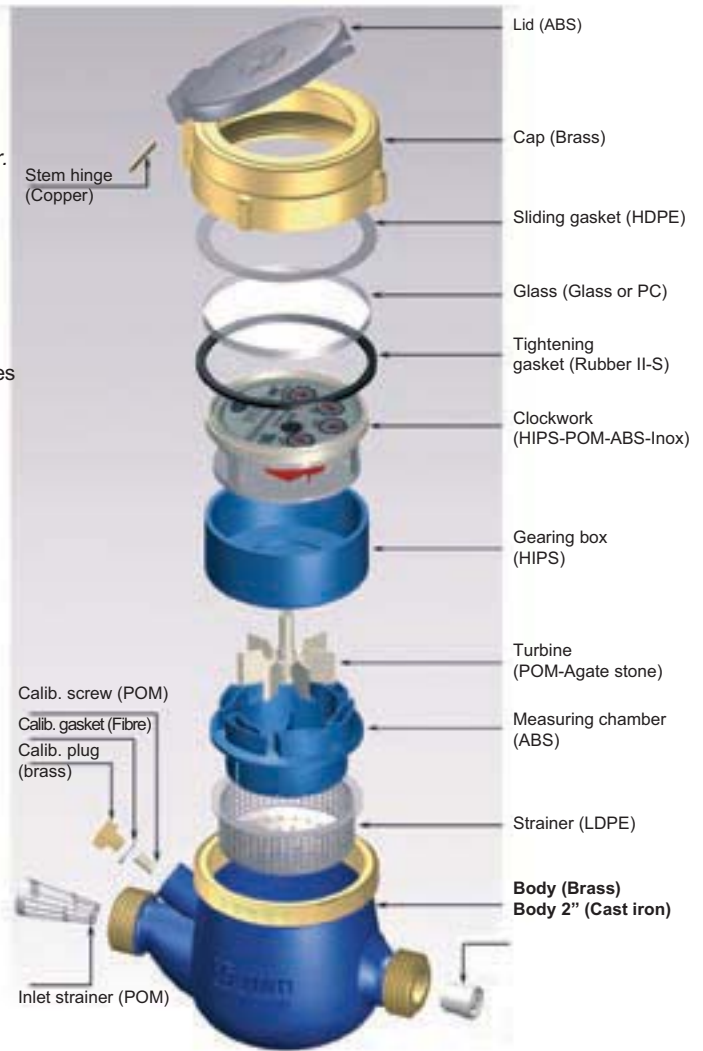
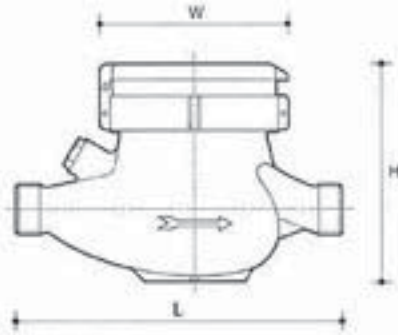
Multi-jet type water meter
wet dial

Multi-jet type water meter - Wet dial type

An inferential multi-jet type meter for cold water, with straight reading wet mechanical register.
 The multi-jet impellar rotates in a measuring chamber (distributor) with a double row of tangential holes to direct the water.
 The chamber is made of self-cleaning synthetic resin.

THE BETA-MJ-WDC WATER METER OFFERS THE FOLLOWING ADVANTAGES:

- Easy reading on direct register which is located in a water filled housing, but isolated from the metered water preventing impurities from interfering with the totalizer's reading.
- Highest reliability thanks to the mechanical transmission of movement.
- Excellent in service performance: EEC approval 75/33 Class B and C.
- Long operating life thanks to the low number of impeller revolutions per cubic meter and to the high quality of the materials utilized.
- Easy maintenance.
- The meter can be installed both in horizontal and vertical pipes



TECHNICAL DATA AND DIMENSIONS (Class B)

GAUGE	mm	15	20	25	30	40	50**
	inches	1/2"	3/4"	1"	1.1/4"	1.1/2"	2"
Qmax	m³/h	3	5	7	12	20	30
Qn	m³/h	1,5	2,5	3,5	6	10	15
Qt	l/h	120	200	280	400	800	3000
Qmin	l/h	30	50	70	100	200	450
PN	bar	16	16	16	16	16	16
Pressure loss (at Qmax)	bar	<1	<1	<1	<1	<1	<1
Sensitivity	l/h	<10	<15	<20	<20	<40	<40
Minimum reading	lt	0,05	0,05	0,05	0,05	0,5	0,5
Lettura massima	m³	99.999	99.999	99.999	99.999	999.999	999.999
Weight (with connections)	Kg	1,45	1,65	2,65	2,90	5,50	8,90
Length L	mm	110-145-165-170	190	160-260	160-260	200-300	300
Width W	mm	99	99	104	104	125	125
Height H	mm	104	109	112	117	147	172

**2" Body is cast iron - Available also in flanged version

